



SERIES

COMPACT
Selector Switches



Compact Selector Switches (S Series)



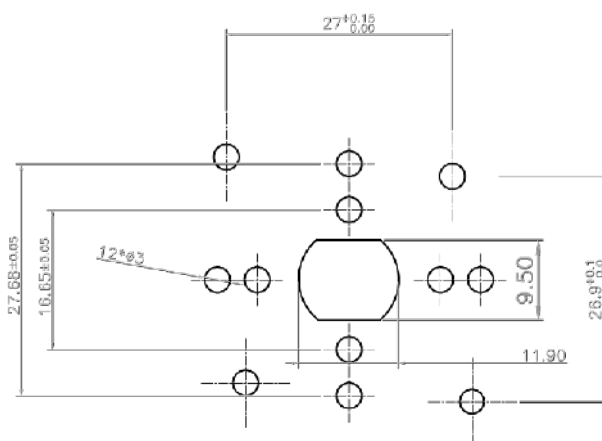
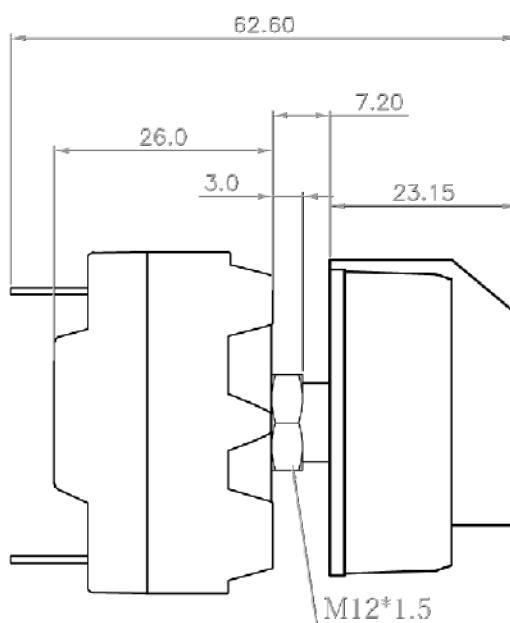
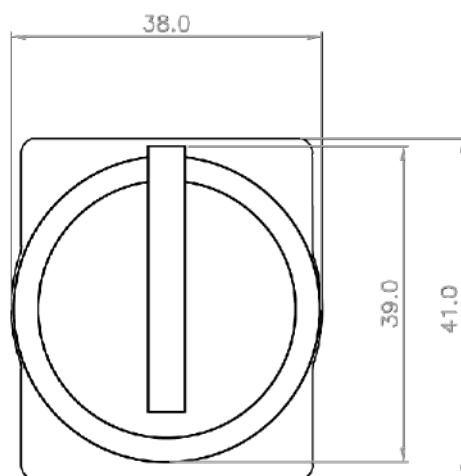
Compact Selector Switches (S Series)

■ General features

These series of cam switches are suitable for home appliances such as ovens, fans, chicken roasters, etc. This product is designed to be compact and easy for installation and wiring. Other features of these products are:

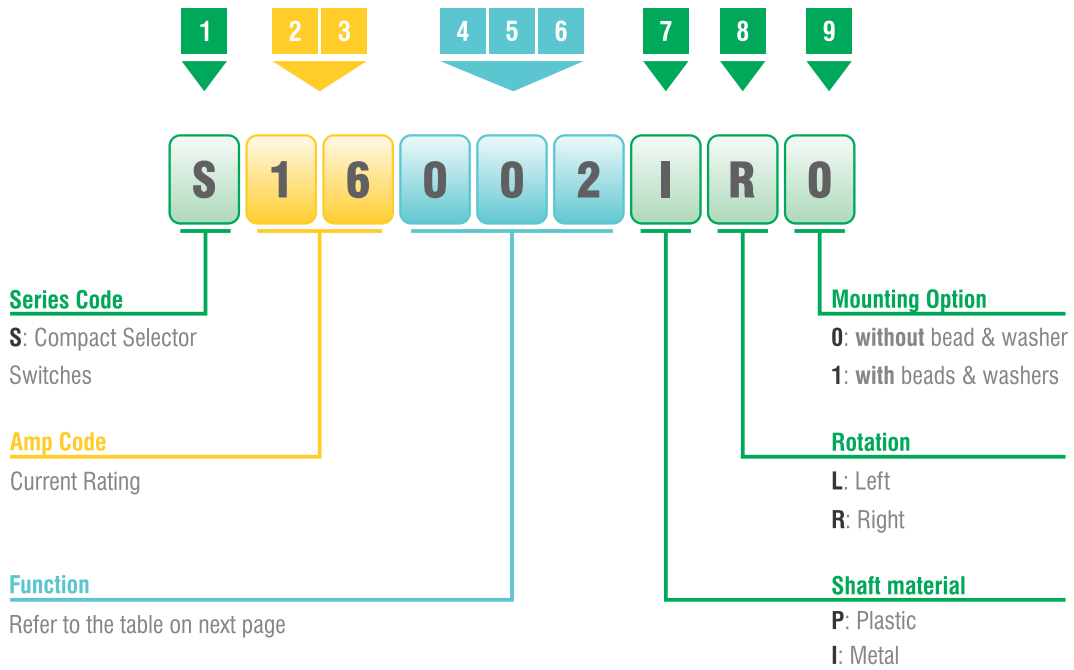
- ▶ Body material is fibered reinforced polyamide with high mechanical, electrical and thermal resistance
- ▶ Bimetal (copper-silver alloy) contact rivets
- ▶ Terminals made of Tin coated brass
- ▶ Conformity with IEC947-2 (AC3 16A & AC1 25A)
- ▶ Installable by side or front using screws
- ▶ Clock Wise and Counter Clock Wise functions
- ▶ Plastic or metal shaft based on customer request
- ▶ Highly customizable based on customer requirements
- ▶ Possibility to modify or customize the switch design and function based on customer needs. Please contact us for customized designs.





Compact selector switch coding system:

Each Compact selector switch is defined using a unique 9 digit code:



Example:

The code **S.16.002.I.R.0** belongs to a compact selector switch with 16 ampere current, 002 function, metal shaft, right side rotating handle without bead and washer



Most common models



No.	Product Code	Positions and rotation characteristics	Stages and Contacts arrangement	Current (A)	Function Code	Shaft	Mounting with bead & washer																																																																																
1	S.016.0001.I.R.0		<table border="1"> <tr><td>Position</td><td>1</td><td>X</td><td></td><td></td><td></td></tr> <tr><td></td><td>0</td><td></td><td></td><td></td><td></td></tr> <tr><td>Stage</td><td>1</td><td></td><td>2</td><td></td><td></td></tr> <tr><td>Contact</td><td>1-2</td><td>3-4</td><td>5-6</td><td>7-8</td><td></td></tr> </table>	Position	1	X					0					Stage	1		2			Contact	1-2	3-4	5-6	7-8		1.6	001	Metal	NO																																																								
Position	1	X																																																																																					
	0																																																																																						
Stage	1		2																																																																																				
Contact	1-2	3-4	5-6	7-8																																																																																			
2	S.016.0001.PL.1		<table border="1"> <tr><td>Position</td><td>1</td><td></td><td></td><td></td><td></td></tr> <tr><td></td><td>0</td><td>X</td><td></td><td></td><td></td></tr> <tr><td>Stage</td><td>1</td><td></td><td>2</td><td></td><td></td></tr> <tr><td>Contact</td><td>1-2</td><td>3-4</td><td>5-6</td><td>7-8</td><td></td></tr> </table>	Position	1						0	X				Stage	1		2			Contact	1-2	3-4	5-6	7-8		1.6	001	Plastic	YES																																																								
Position	1																																																																																						
	0	X																																																																																					
Stage	1		2																																																																																				
Contact	1-2	3-4	5-6	7-8																																																																																			
3	S.016.0001.I.L.1	<table border="1"> <tr><td>Position</td><td>1</td><td></td><td></td><td></td><td></td></tr> <tr><td></td><td>0</td><td></td><td></td><td></td><td></td></tr> <tr><td>Stage</td><td>1</td><td></td><td>2</td><td></td><td></td></tr> <tr><td>Contact</td><td>1-2</td><td>3-4</td><td>5-6</td><td>7-8</td><td></td></tr> </table>	Position	1						0					Stage	1		2			Contact	1-2	3-4	5-6	7-8		Metal	YES																																																											
Position	1																																																																																						
	0																																																																																						
Stage	1		2																																																																																				
Contact	1-2	3-4	5-6	7-8																																																																																			
4	S.016.0002.PR.1		<table border="1"> <tr><td>Position</td><td>3</td><td>X</td><td></td><td>X</td><td></td></tr> <tr><td></td><td>2</td><td>X</td><td></td><td>X</td><td></td></tr> <tr><td></td><td>1</td><td>X</td><td></td><td>X</td><td></td></tr> <tr><td></td><td>0</td><td></td><td></td><td></td><td></td></tr> <tr><td>Stage</td><td>1</td><td></td><td>2</td><td></td><td></td></tr> <tr><td>Contact</td><td>1-2</td><td>3-4</td><td>5-6</td><td>7-8</td><td></td></tr> </table>	Position	3	X		X			2	X		X			1	X		X			0					Stage	1		2			Contact	1-2	3-4	5-6	7-8		1.6	002	Plastic	YES																																												
Position	3	X		X																																																																																			
	2	X		X																																																																																			
	1	X		X																																																																																			
	0																																																																																						
Stage	1		2																																																																																				
Contact	1-2	3-4	5-6	7-8																																																																																			
5	S.016.0003.I.L.1		<table border="1"> <tr><td>Position</td><td>0</td><td></td><td></td><td></td><td></td></tr> <tr><td></td><td>1</td><td>X</td><td></td><td></td><td></td></tr> <tr><td></td><td>2</td><td>X</td><td>X</td><td></td><td></td></tr> <tr><td></td><td>3</td><td>X</td><td>X</td><td></td><td></td></tr> <tr><td>Stage</td><td>1</td><td></td><td>2</td><td></td><td></td></tr> <tr><td>Contact</td><td>1-2</td><td>3-4</td><td>5-6</td><td>7-8</td><td></td></tr> </table>	Position	0						1	X					2	X	X				3	X	X			Stage	1		2			Contact	1-2	3-4	5-6	7-8		1.6	003	Metal	YES																																												
Position	0																																																																																						
	1	X																																																																																					
	2	X	X																																																																																				
	3	X	X																																																																																				
Stage	1		2																																																																																				
Contact	1-2	3-4	5-6	7-8																																																																																			
6	S.016.0003.PL.1	<table border="1"> <tr><td>Position</td><td>0</td><td></td><td></td><td></td><td></td></tr> <tr><td></td><td>1</td><td>X</td><td></td><td></td><td></td></tr> <tr><td></td><td>2</td><td>X</td><td>X</td><td></td><td></td></tr> <tr><td></td><td>3</td><td>X</td><td>X</td><td></td><td></td></tr> <tr><td>Stage</td><td>1</td><td></td><td>2</td><td></td><td></td></tr> <tr><td>Contact</td><td>1-2</td><td>3-4</td><td>5-6</td><td>7-8</td><td></td></tr> </table>	Position	0						1	X					2	X	X				3	X	X			Stage	1		2			Contact	1-2	3-4	5-6	7-8		Plastic	YES																																															
Position	0																																																																																						
	1	X																																																																																					
	2	X	X																																																																																				
	3	X	X																																																																																				
Stage	1		2																																																																																				
Contact	1-2	3-4	5-6	7-8																																																																																			
7	S.016.0003.I.R.0		<table border="1"> <tr><td>Position</td><td>3</td><td>X</td><td>X</td><td>X</td><td></td></tr> <tr><td></td><td>2</td><td>X</td><td>X</td><td>X</td><td></td></tr> <tr><td></td><td>1</td><td>X</td><td>X</td><td>X</td><td></td></tr> <tr><td></td><td>0</td><td></td><td></td><td></td><td></td></tr> <tr><td>Stage</td><td>1</td><td></td><td>2</td><td></td><td></td></tr> <tr><td>Contact</td><td>1-2</td><td>3-4</td><td>5-6</td><td>7-8</td><td></td></tr> </table>	Position	3	X	X	X			2	X	X	X			1	X	X	X			0					Stage	1		2			Contact	1-2	3-4	5-6	7-8		1.6	003	Metal	NO																																												
Position	3		X	X	X																																																																																		
	2	X	X	X																																																																																			
	1	X	X	X																																																																																			
	0																																																																																						
Stage	1		2																																																																																				
Contact	1-2	3-4	5-6	7-8																																																																																			
8	S.016.0003.PR.1	<table border="1"> <tr><td>Position</td><td>3</td><td>X</td><td>X</td><td>X</td><td></td></tr> <tr><td></td><td>2</td><td>X</td><td>X</td><td>X</td><td></td></tr> <tr><td></td><td>1</td><td>X</td><td>X</td><td>X</td><td></td></tr> <tr><td></td><td>0</td><td></td><td></td><td></td><td></td></tr> <tr><td>Stage</td><td>1</td><td></td><td>2</td><td></td><td></td></tr> <tr><td>Contact</td><td>1-2</td><td>3-4</td><td>5-6</td><td>7-8</td><td></td></tr> </table>	Position	3	X	X	X			2	X	X	X			1	X	X	X			0					Stage	1		2			Contact	1-2	3-4	5-6	7-8		Plastic	YES																																															
Position	3	X	X	X																																																																																			
	2	X	X	X																																																																																			
	1	X	X	X																																																																																			
	0																																																																																						
Stage	1		2																																																																																				
Contact	1-2	3-4	5-6	7-8																																																																																			
9	S.016.0004.I.L.0		<table border="1"> <tr><td>Position</td><td>0</td><td></td><td></td><td></td><td></td></tr> <tr><td></td><td>1</td><td>X</td><td></td><td></td><td></td></tr> <tr><td></td><td>2</td><td></td><td>X</td><td></td><td></td></tr> <tr><td></td><td>3</td><td></td><td>X</td><td>X</td><td></td></tr> <tr><td>Stage</td><td>1</td><td></td><td>2</td><td></td><td></td></tr> <tr><td>Contact</td><td>1-2</td><td>3-4</td><td>5-6</td><td>7-8</td><td></td></tr> </table>	Position	0						1	X					2		X				3		X	X		Stage	1		2			Contact	1-2	3-4	5-6	7-8		1.6	004	Metal	NO																																												
Position	0																																																																																						
	1	X																																																																																					
	2		X																																																																																				
	3		X	X																																																																																			
Stage	1		2																																																																																				
Contact	1-2	3-4	5-6	7-8																																																																																			
10	S.016.0005.I.R.1		<table border="1"> <tr><td>Position</td><td>3</td><td></td><td></td><td>X</td><td>X</td></tr> <tr><td></td><td>2</td><td></td><td></td><td>X</td><td>X</td></tr> <tr><td></td><td>1</td><td></td><td></td><td>X</td><td>X</td></tr> <tr><td></td><td>0</td><td></td><td></td><td></td><td></td></tr> <tr><td>Stage</td><td>1</td><td></td><td>2</td><td></td><td></td></tr> <tr><td>Contact</td><td>1-2</td><td>3-4</td><td>5-6</td><td>7-8</td><td></td></tr> </table>	Position	3			X	X		2			X	X		1			X	X		0					Stage	1		2			Contact	1-2	3-4	5-6	7-8		1.6	005	Metal	YES																																												
Position	3			X	X																																																																																		
	2			X	X																																																																																		
	1			X	X																																																																																		
	0																																																																																						
Stage	1		2																																																																																				
Contact	1-2	3-4	5-6	7-8																																																																																			
11	S.016.0006.I.R.0		<table border="1"> <tr><td>Position</td><td>6</td><td></td><td>X</td><td></td><td></td><td></td></tr> <tr><td></td><td>5</td><td></td><td>X</td><td></td><td>X</td><td></td></tr> <tr><td></td><td>4</td><td></td><td>X</td><td></td><td>X</td><td></td></tr> <tr><td></td><td>3</td><td>X</td><td>X</td><td>X</td><td>X</td><td></td></tr> <tr><td></td><td>2</td><td>X</td><td>X</td><td>X</td><td>X</td><td></td></tr> <tr><td></td><td>1</td><td></td><td></td><td></td><td></td><td></td></tr> <tr><td>Stage</td><td>1</td><td></td><td>2</td><td></td><td></td><td></td></tr> <tr><td>Contact</td><td>1-2</td><td>3-4</td><td>5-6</td><td>7-8</td><td></td><td></td></tr> </table>	Position	6		X					5		X		X			4		X		X			3	X	X	X	X			2	X	X	X	X			1						Stage	1		2				Contact	1-2	3-4	5-6	7-8			1.6	006	Metal	NO																								
Position	6		X																																																																																				
	5		X		X																																																																																		
	4		X		X																																																																																		
	3	X	X	X	X																																																																																		
	2	X	X	X	X																																																																																		
	1																																																																																						
Stage	1		2																																																																																				
Contact	1-2	3-4	5-6	7-8																																																																																			
12	S.016.0007.I.R.1		<table border="1"> <tr><td>Position</td><td>7</td><td>X</td><td>X</td><td>X</td><td>X</td><td></td><td></td></tr> <tr><td></td><td>6</td><td></td><td>X</td><td>X</td><td>X</td><td>X</td><td></td></tr> <tr><td></td><td>5</td><td>X</td><td>X</td><td>X</td><td>X</td><td>X</td><td></td></tr> <tr><td></td><td>4</td><td>X</td><td>X</td><td>X</td><td>X</td><td>X</td><td></td></tr> <tr><td></td><td>3</td><td>X</td><td>X</td><td>X</td><td>X</td><td>X</td><td></td></tr> <tr><td></td><td>2</td><td>X</td><td>X</td><td>X</td><td>X</td><td>X</td><td></td></tr> <tr><td></td><td>1</td><td></td><td></td><td></td><td></td><td></td><td></td></tr> <tr><td></td><td>0</td><td></td><td></td><td></td><td></td><td></td><td></td></tr> <tr><td>Stage</td><td>1</td><td></td><td>2</td><td></td><td></td><td></td><td></td></tr> <tr><td>Contact</td><td>1-2</td><td>3-4</td><td>5-6</td><td>7-8</td><td></td><td></td><td></td></tr> </table>	Position	7	X	X	X	X				6		X	X	X	X			5	X	X	X	X	X			4	X	X	X	X	X			3	X	X	X	X	X			2	X	X	X	X	X			1								0							Stage	1		2					Contact	1-2	3-4	5-6	7-8				1.6	007	Metal	YES
Position	7	X	X	X	X																																																																																		
	6		X	X	X	X																																																																																	
	5	X	X	X	X	X																																																																																	
	4	X	X	X	X	X																																																																																	
	3	X	X	X	X	X																																																																																	
	2	X	X	X	X	X																																																																																	
	1																																																																																						
	0																																																																																						
Stage	1		2																																																																																				
Contact	1-2	3-4	5-6	7-8																																																																																			

Compact Selector Switches (S Series)